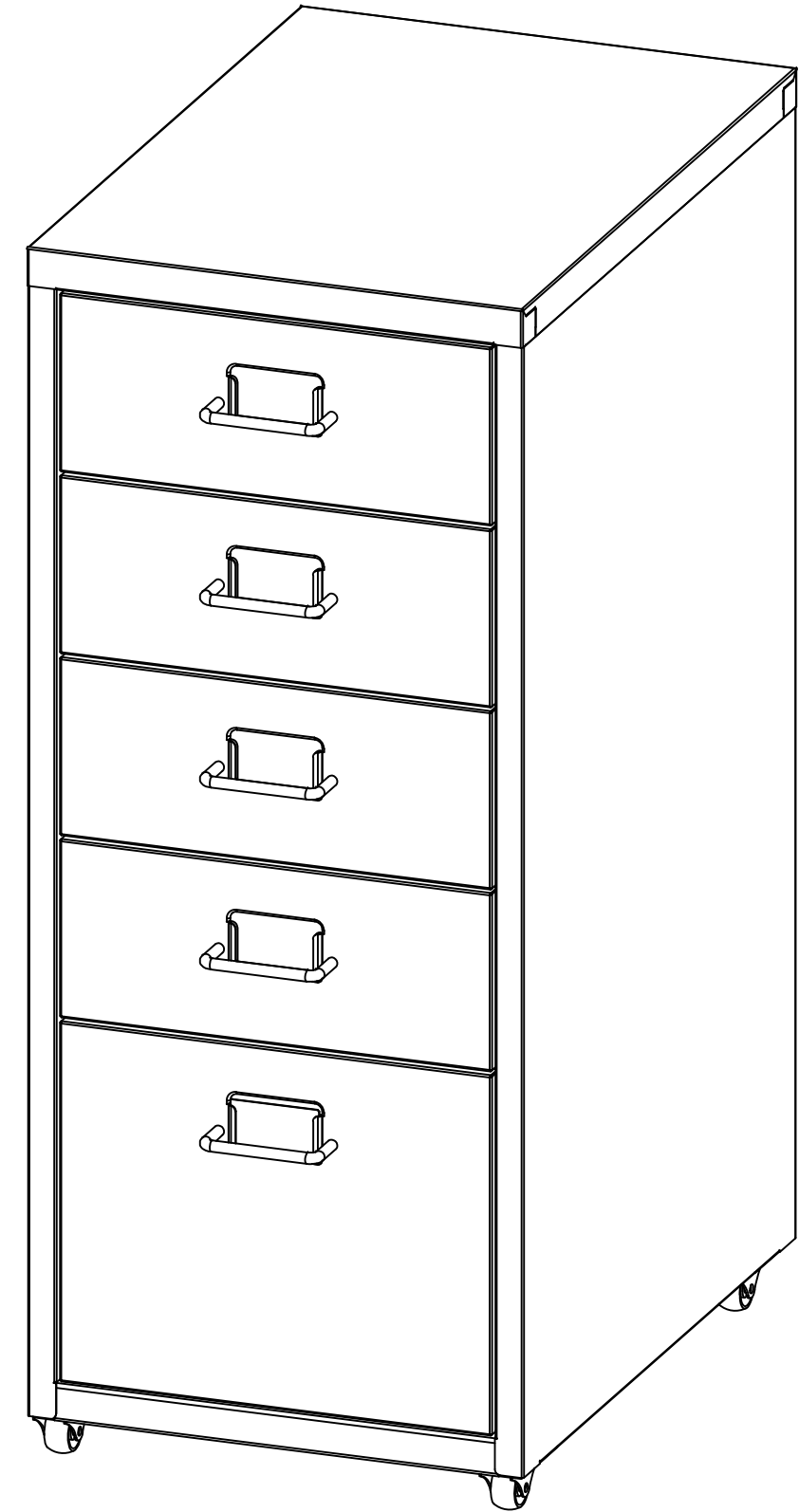
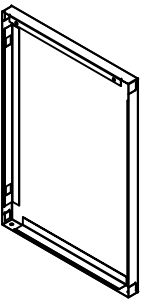
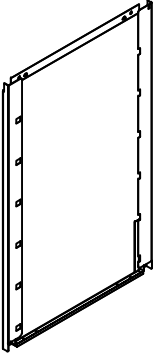
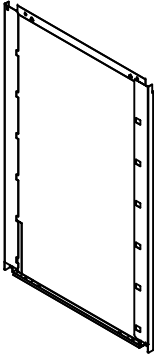
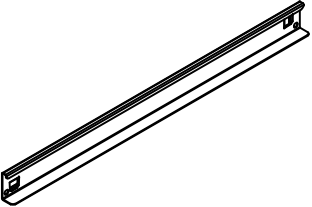
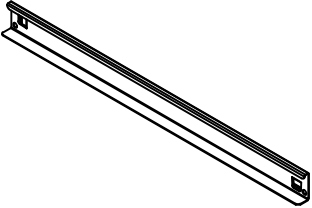
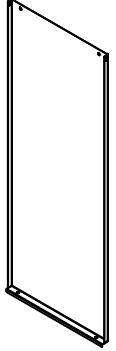
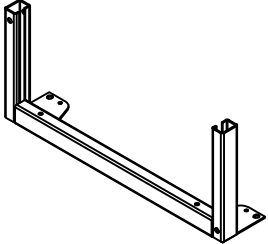
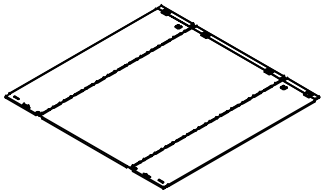
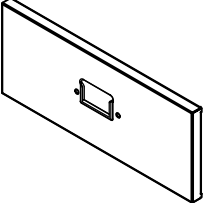
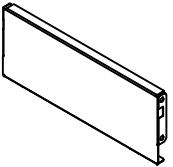
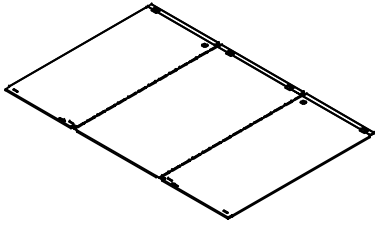
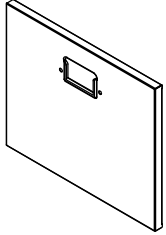
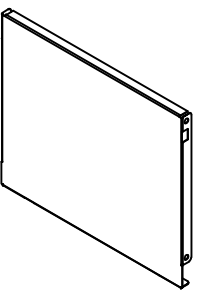
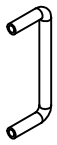




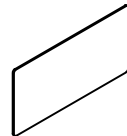


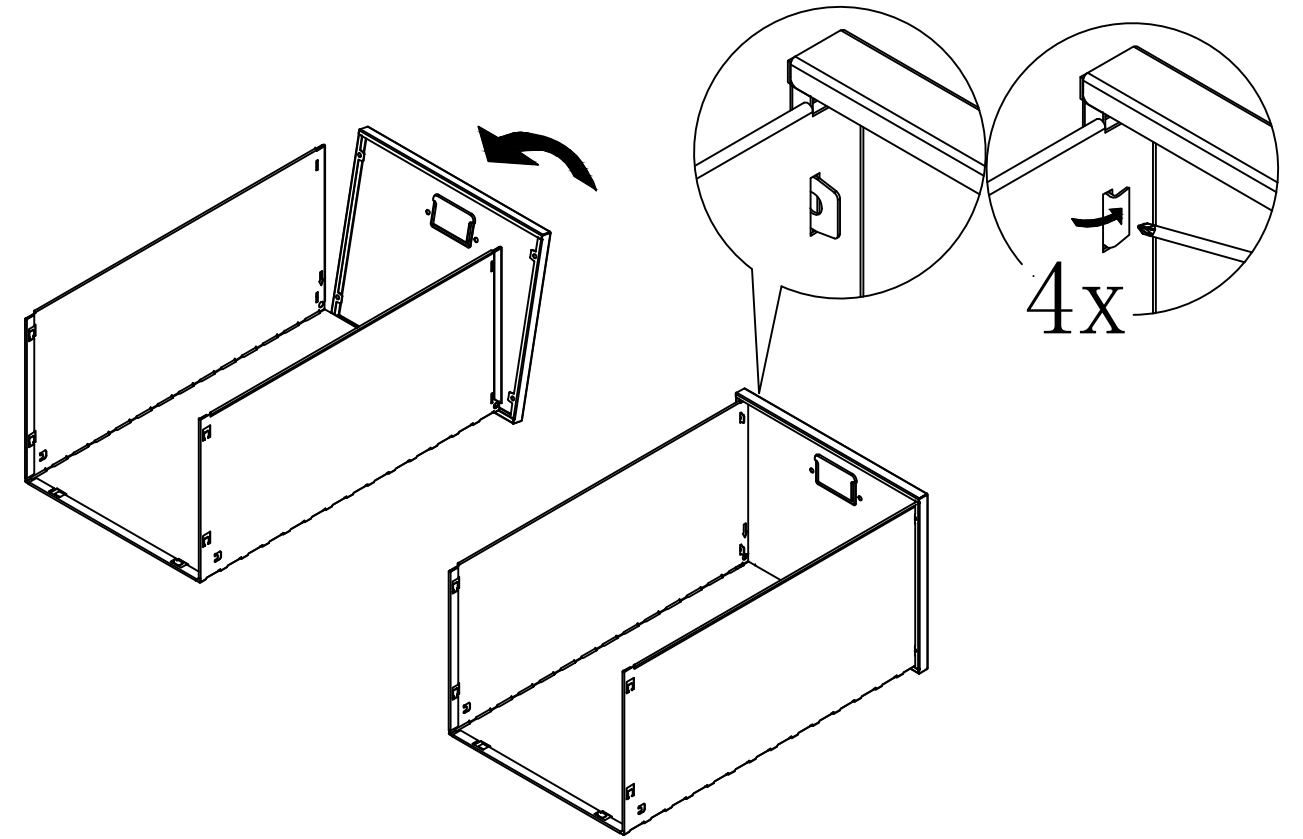
FILING CABINET 5 DRAWER

W280×D410×H688 mm

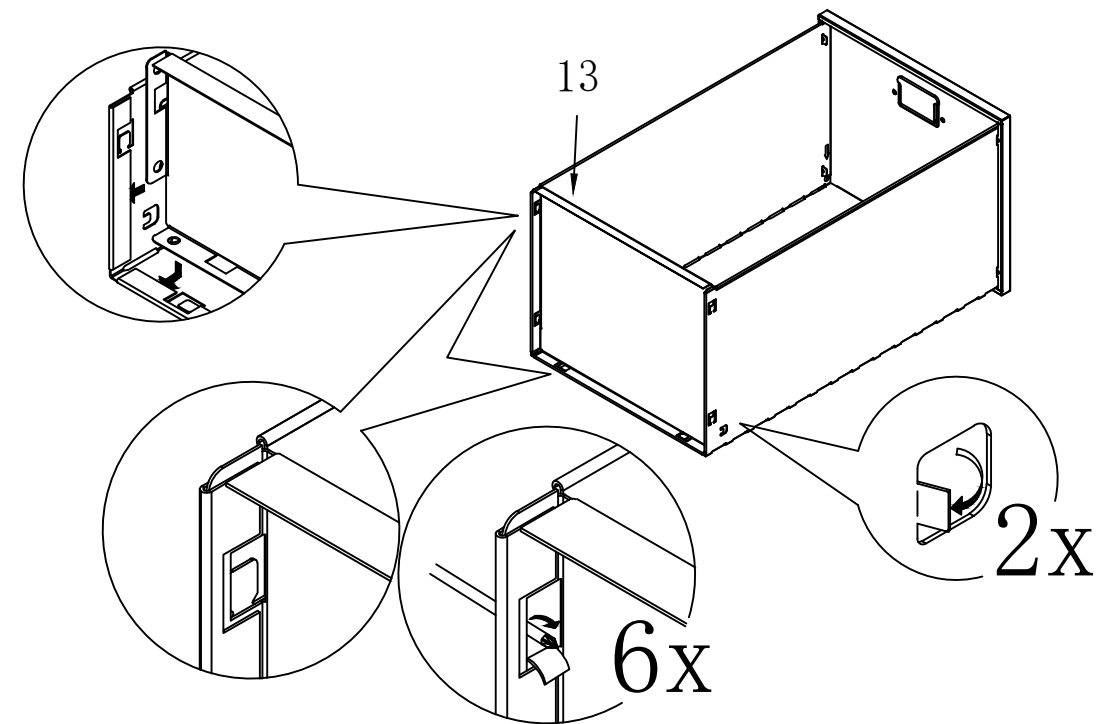


1  1pcs	2  1pcs	3  1pcs		
4  5pcs	5  5pcs	6  1pcs		
7  2pcs	8  4pcs	9  4pcs		
10  4pcs	11  1pcs	12  1pcs		
13  1pcs	A  5pcs	B  M4x6 10pcs	C  4pcs	D  4x12 12pcs
	E  2pcs	F  5pcs		

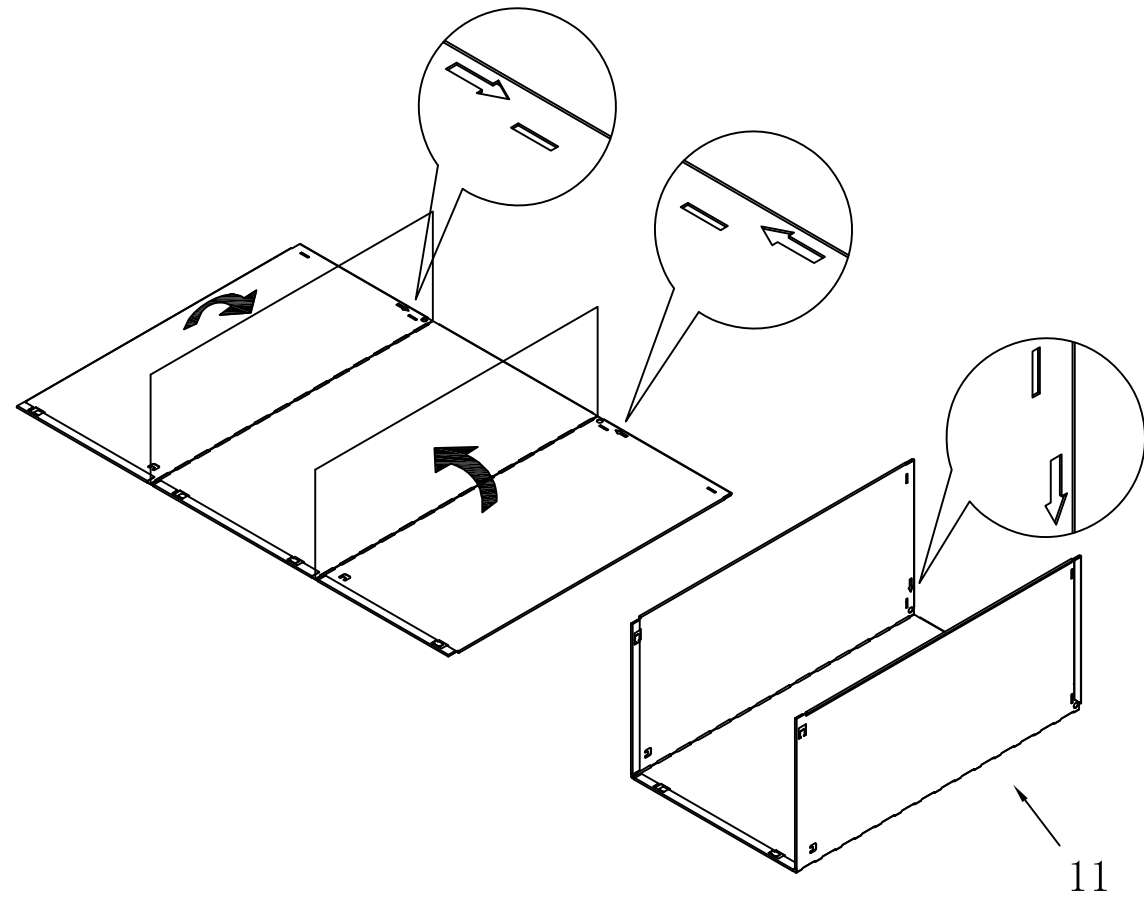
14



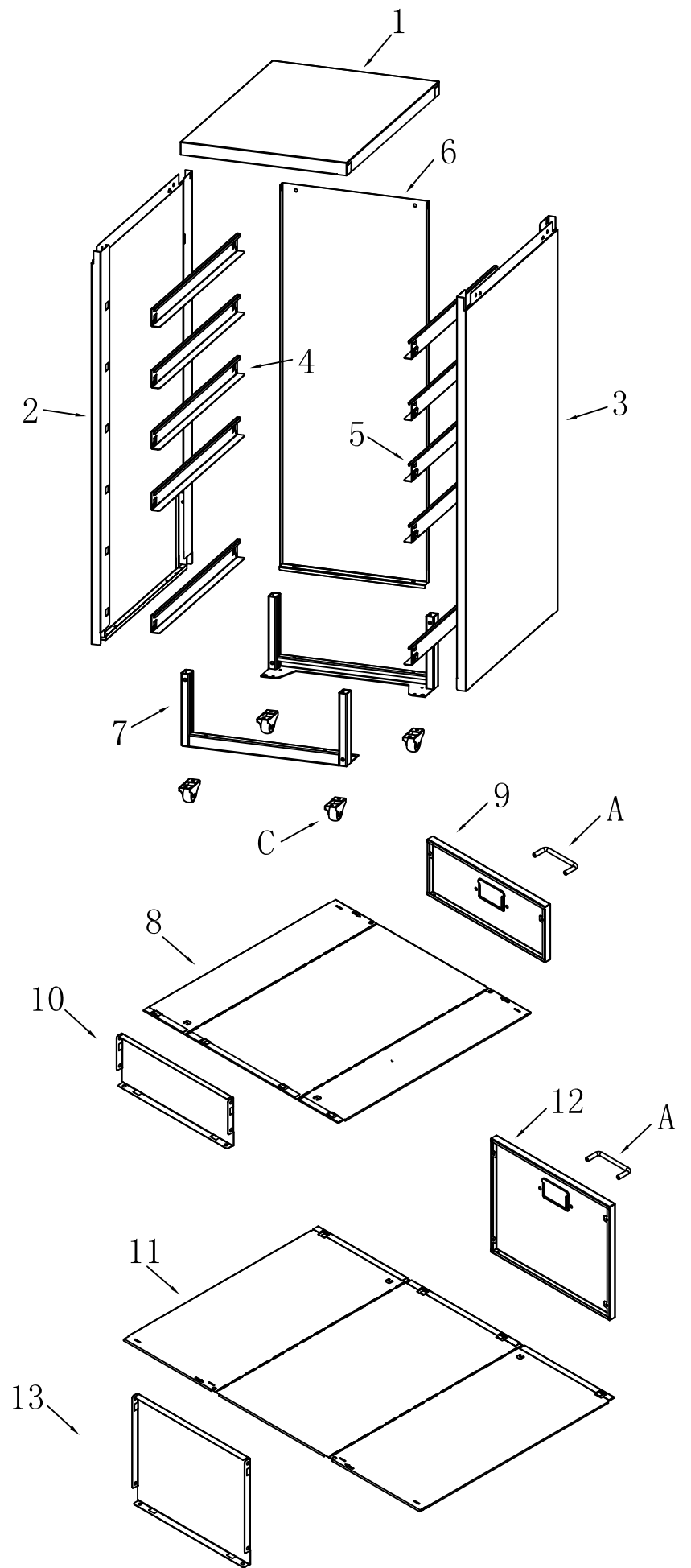
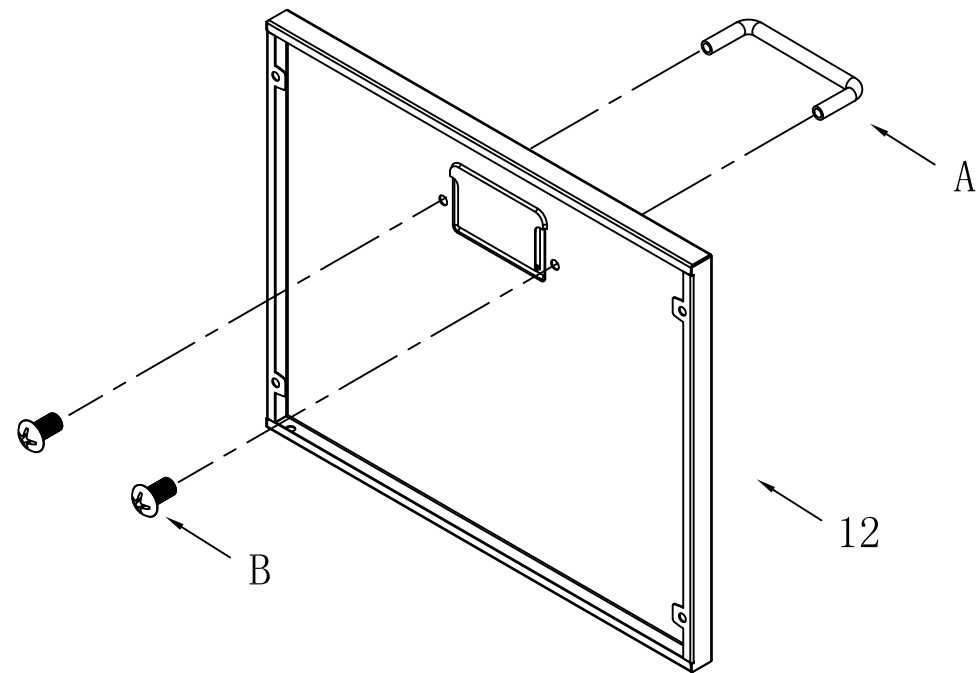
15



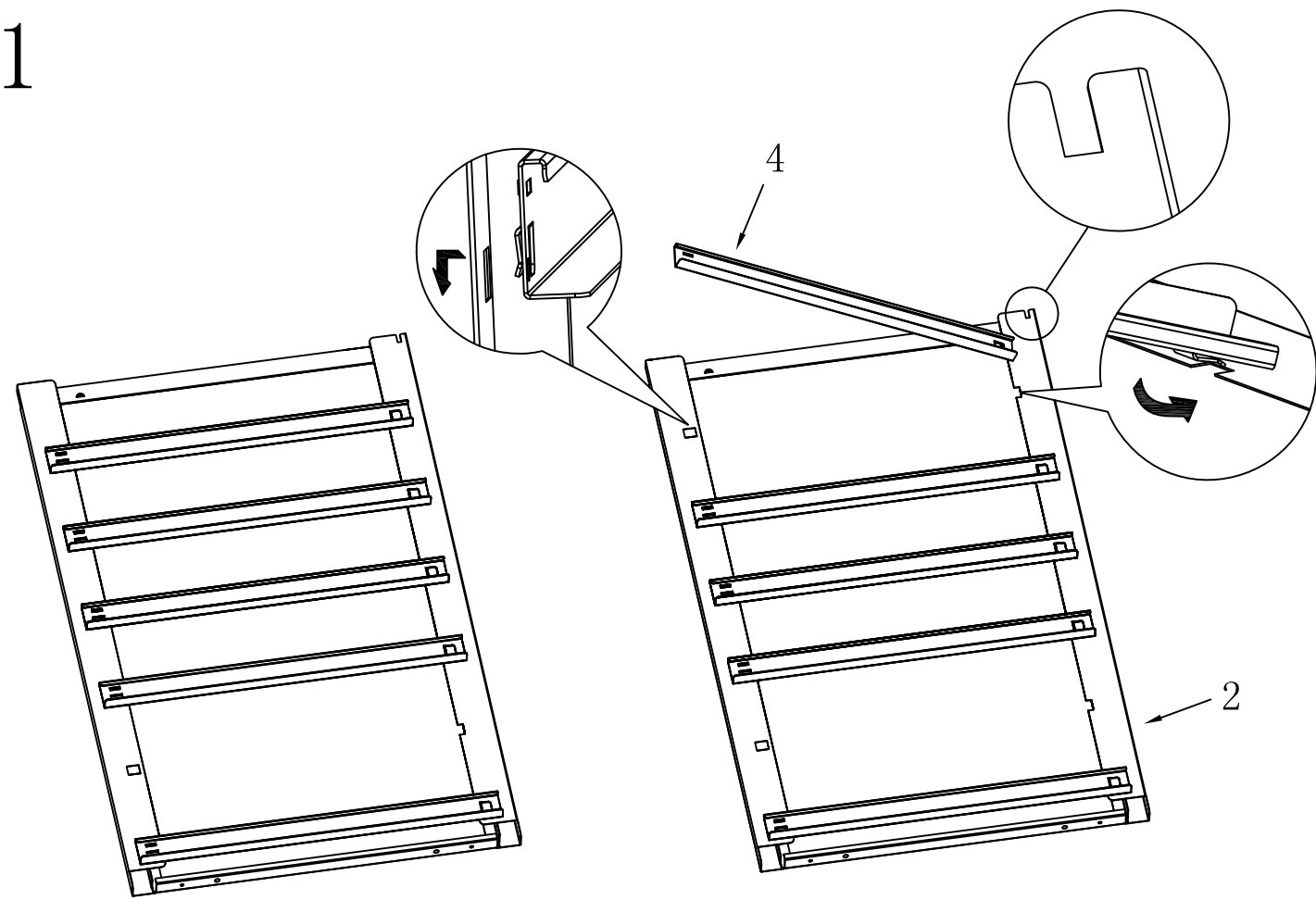
12



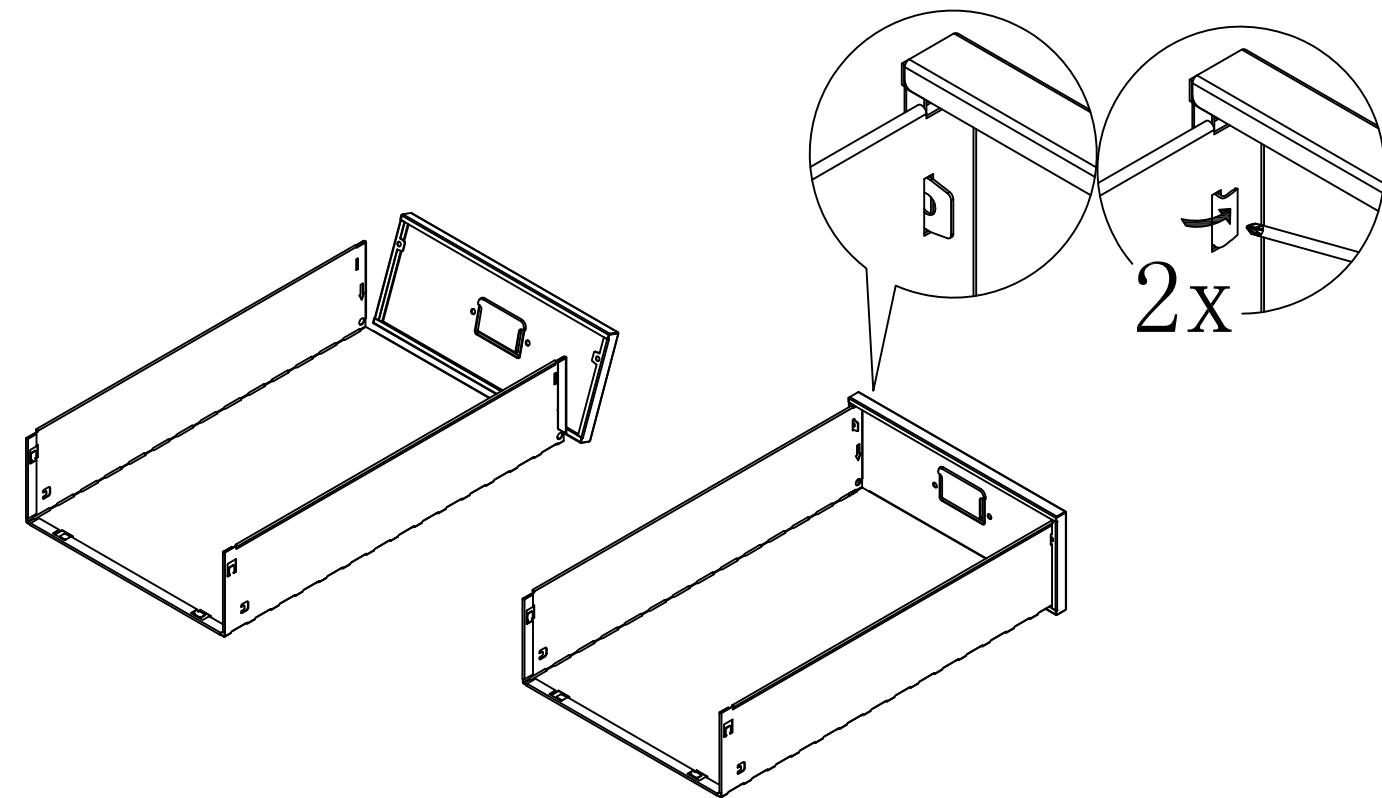
13



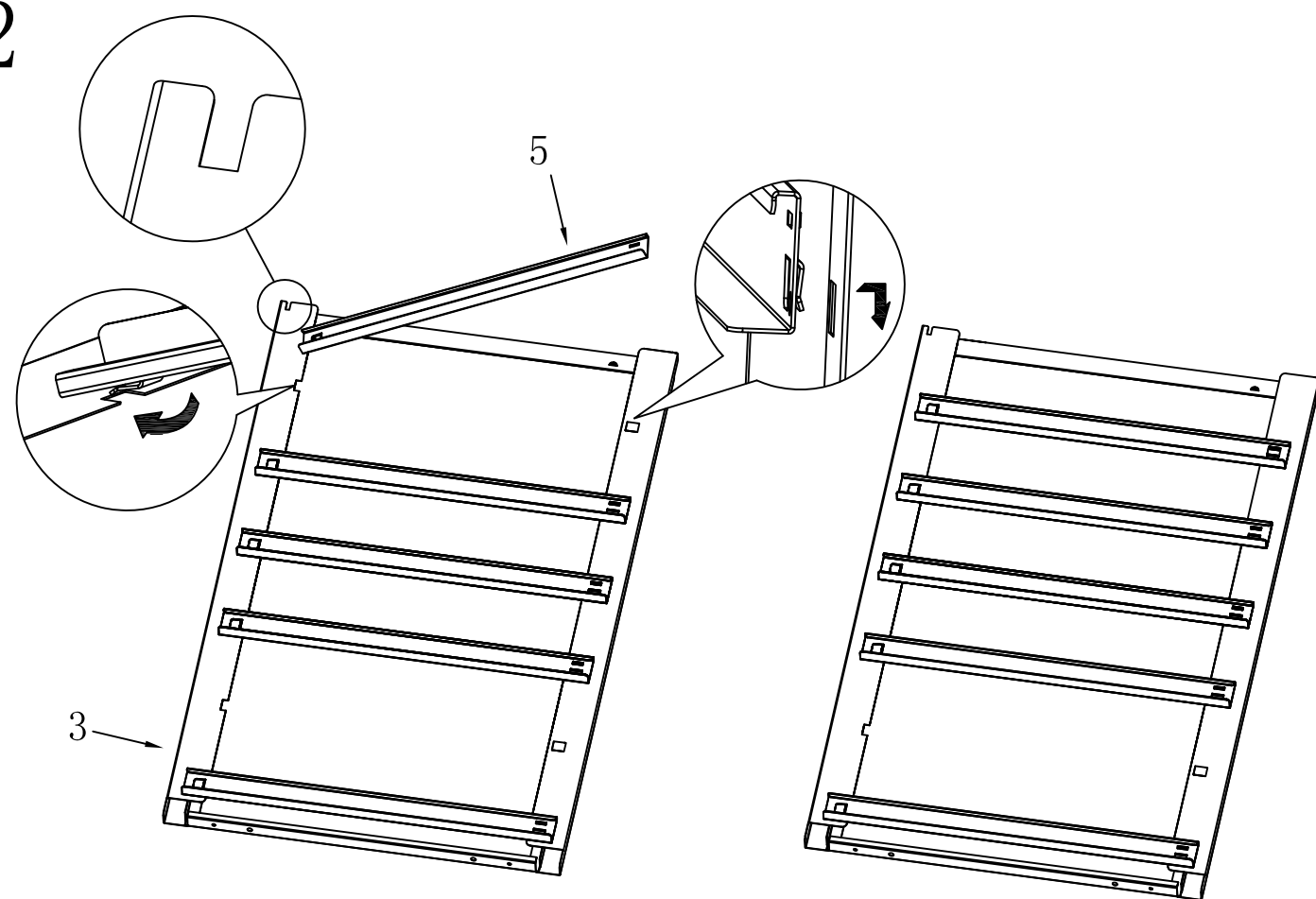
1



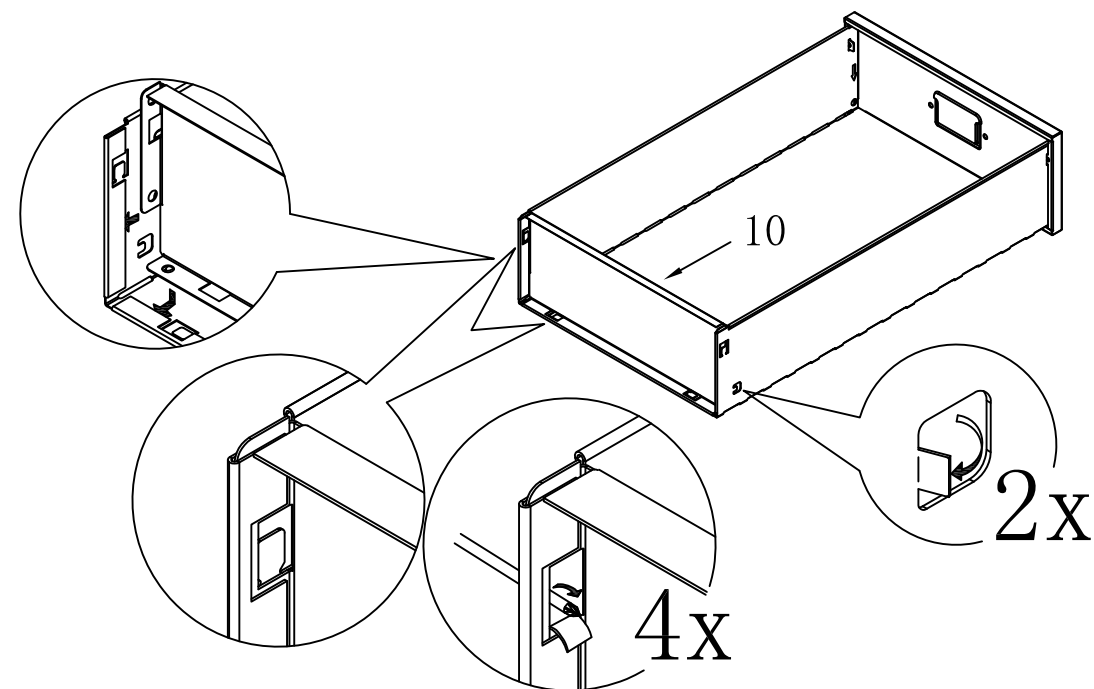
10



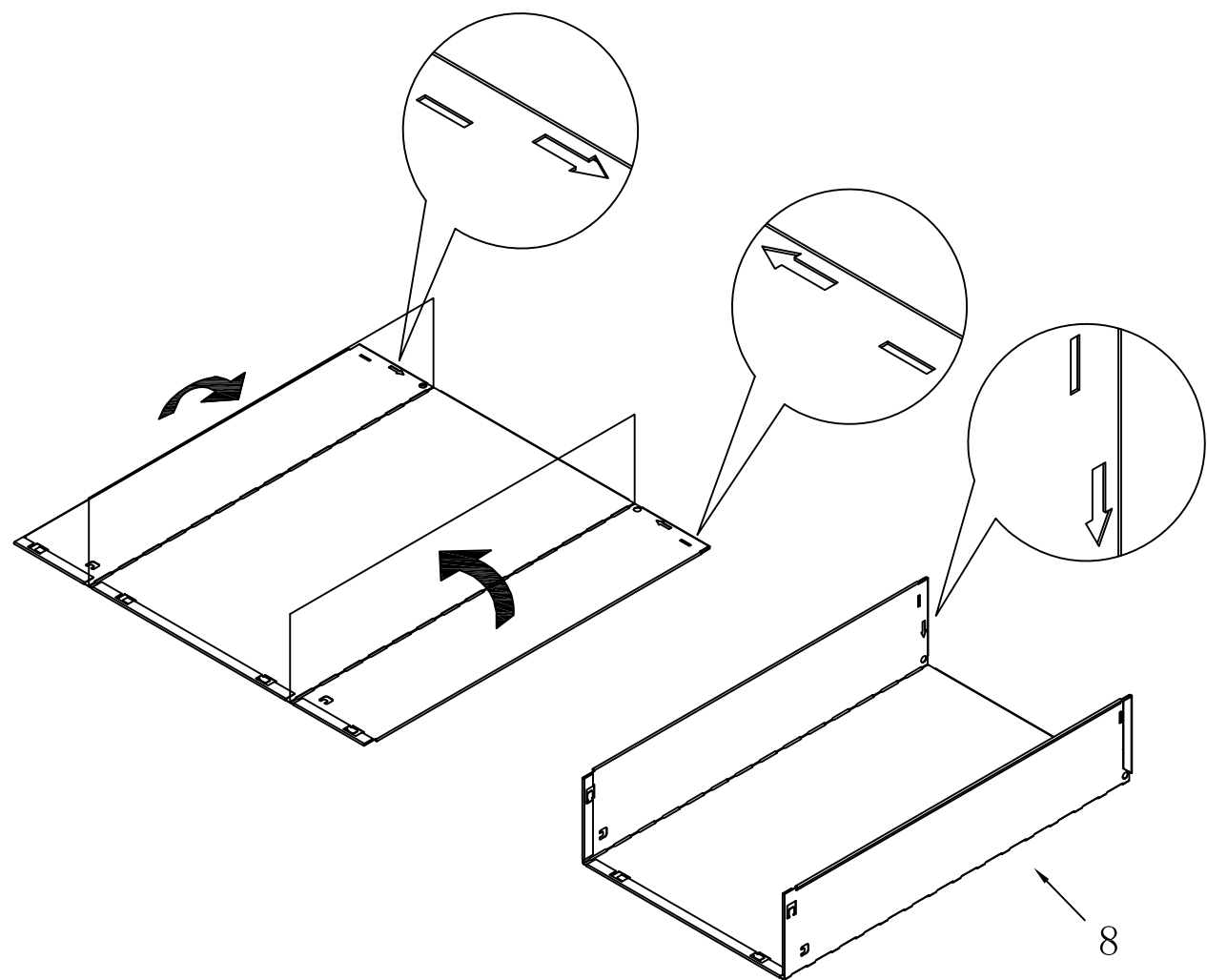
2



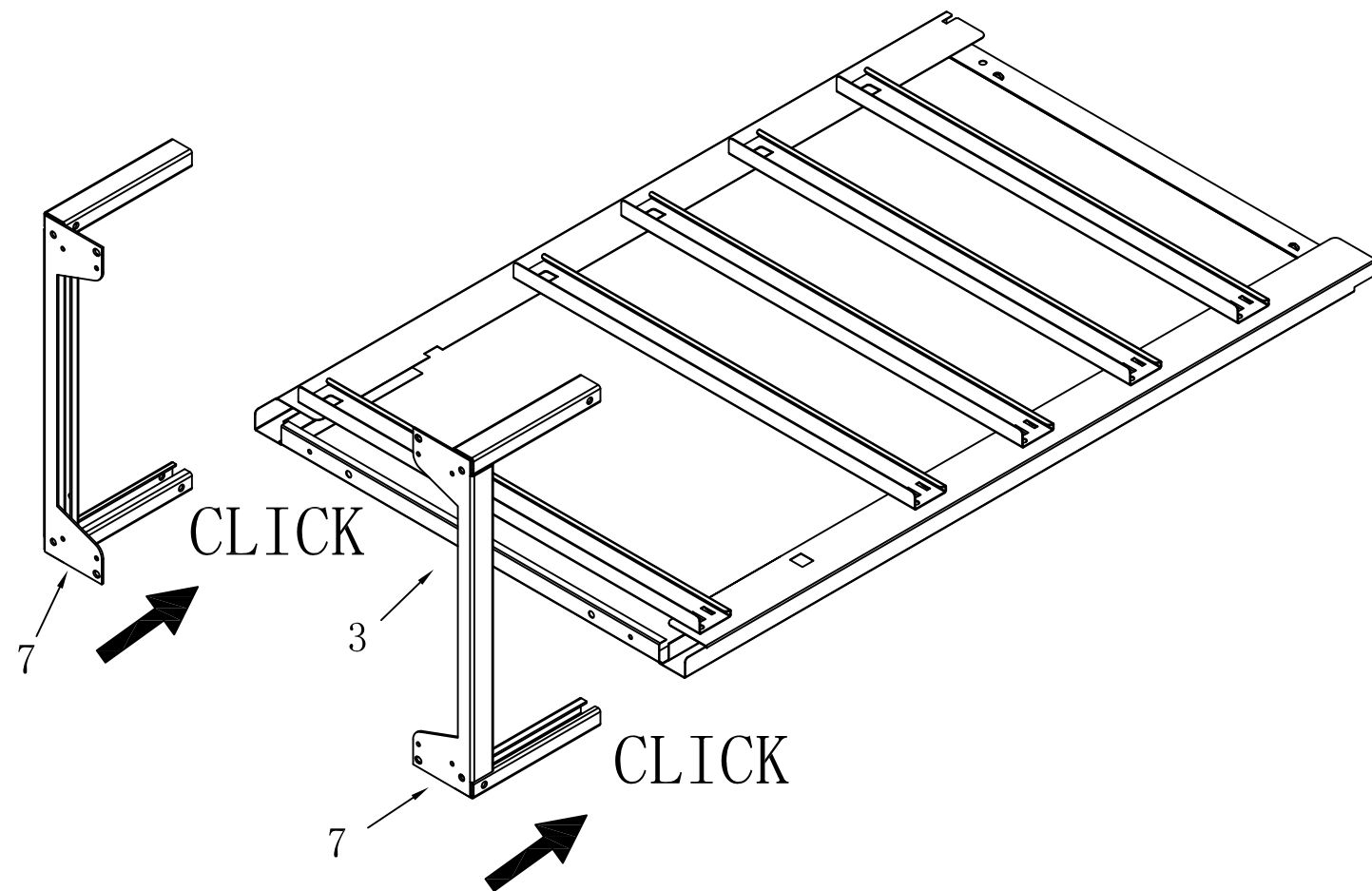
11



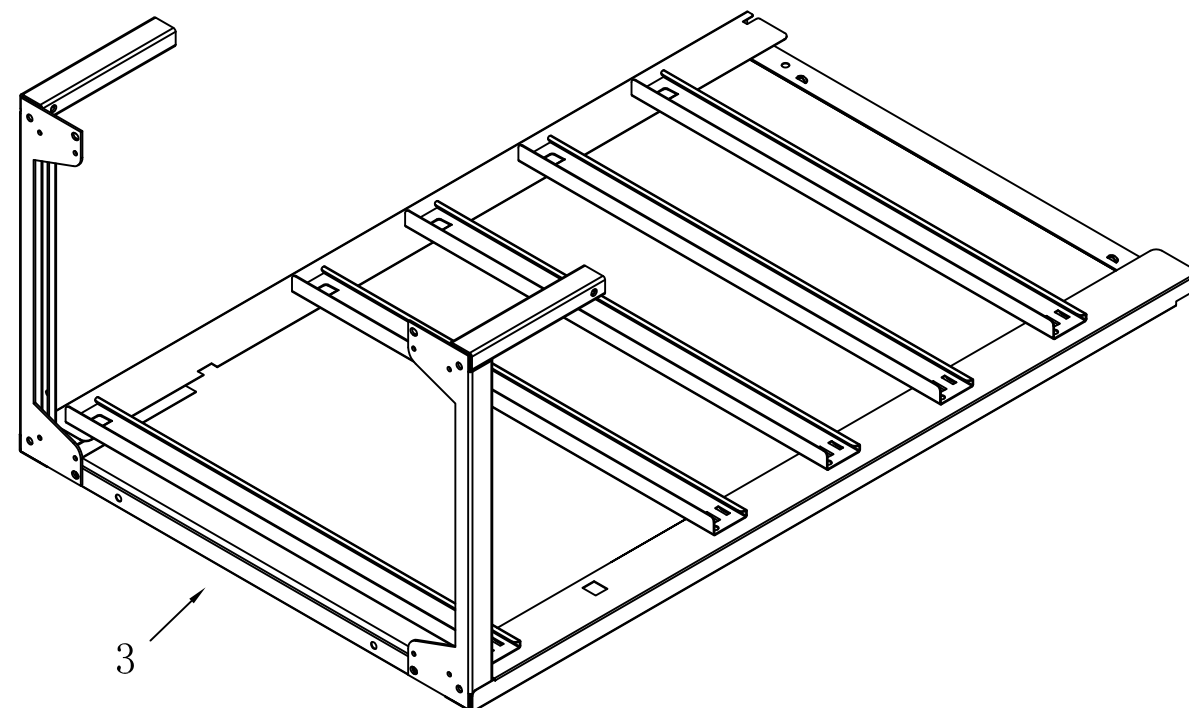
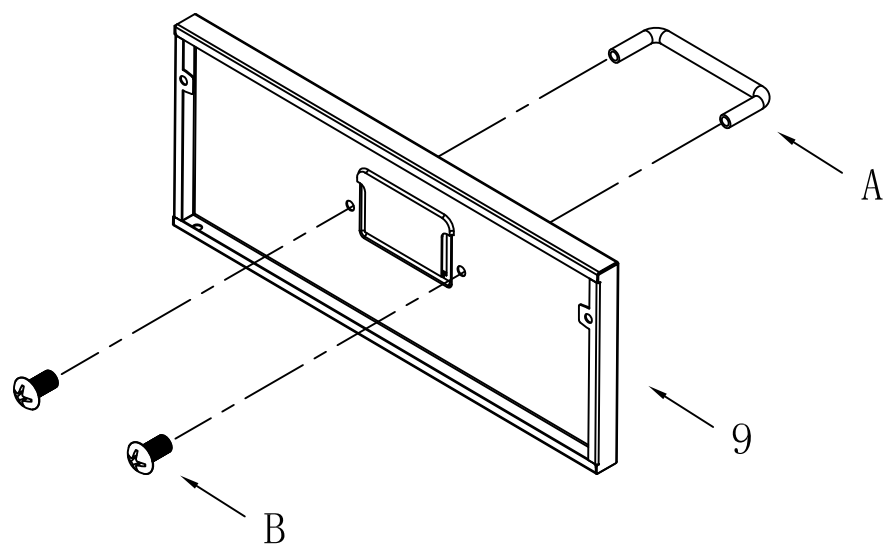
8



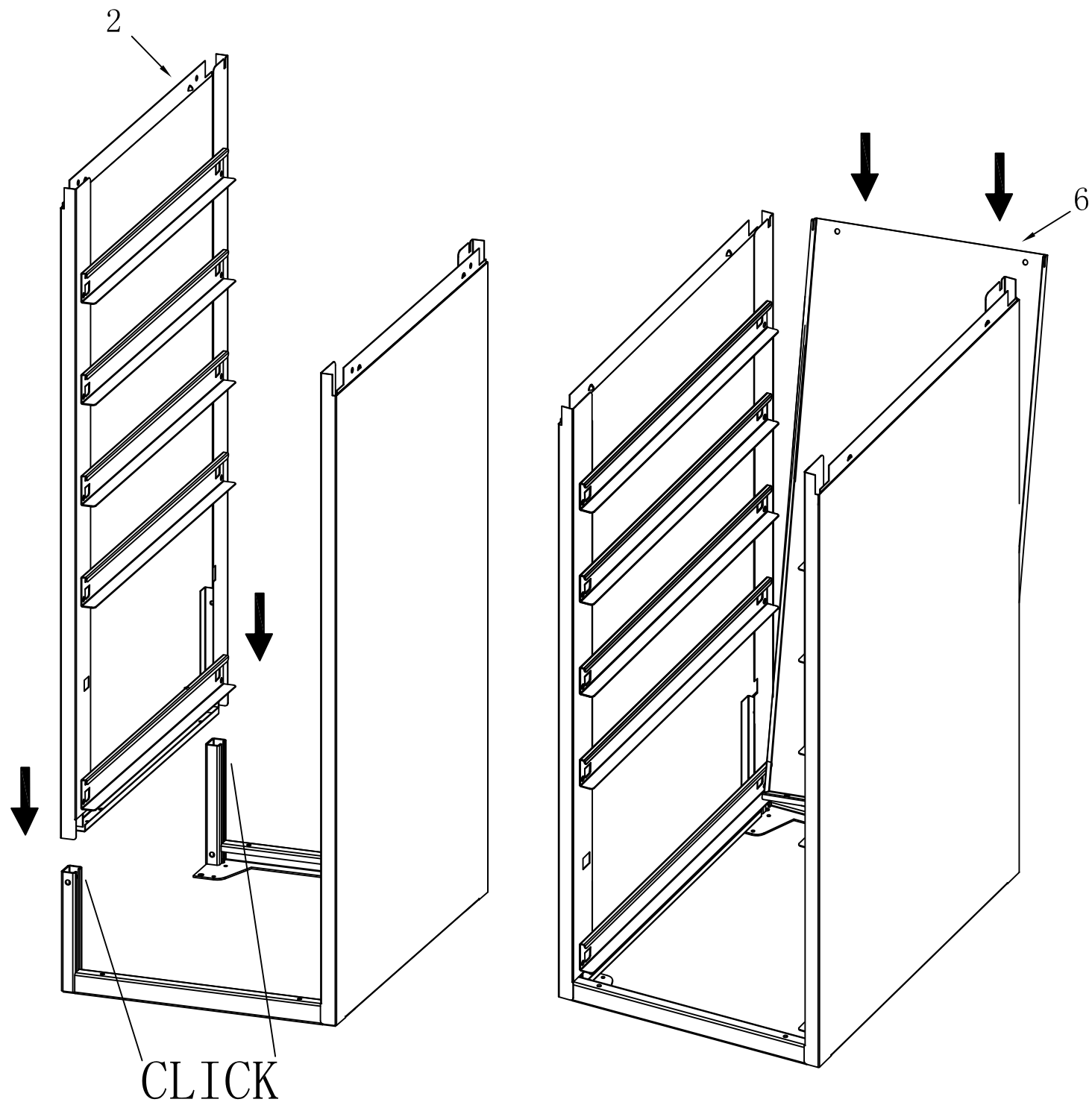
3



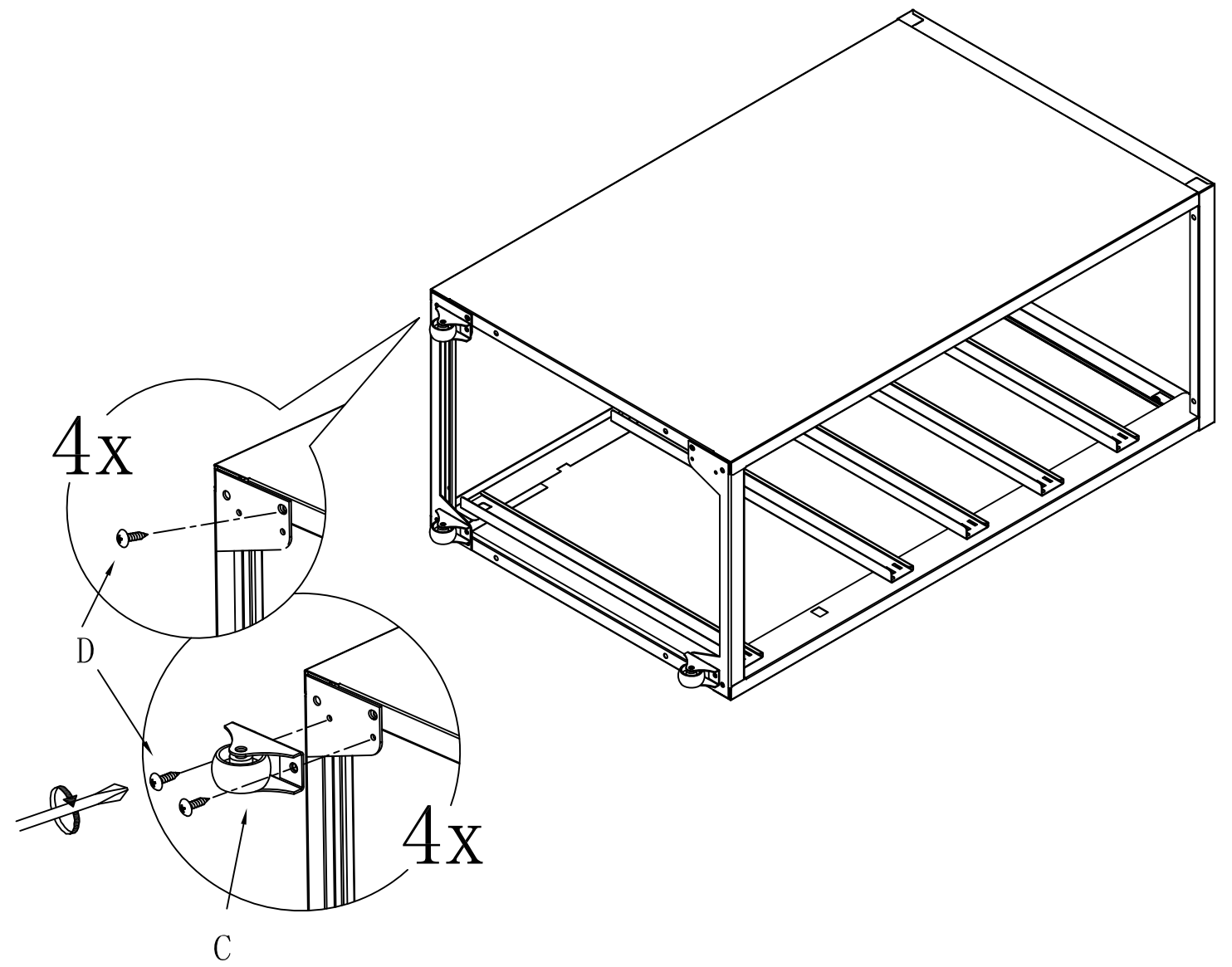
9



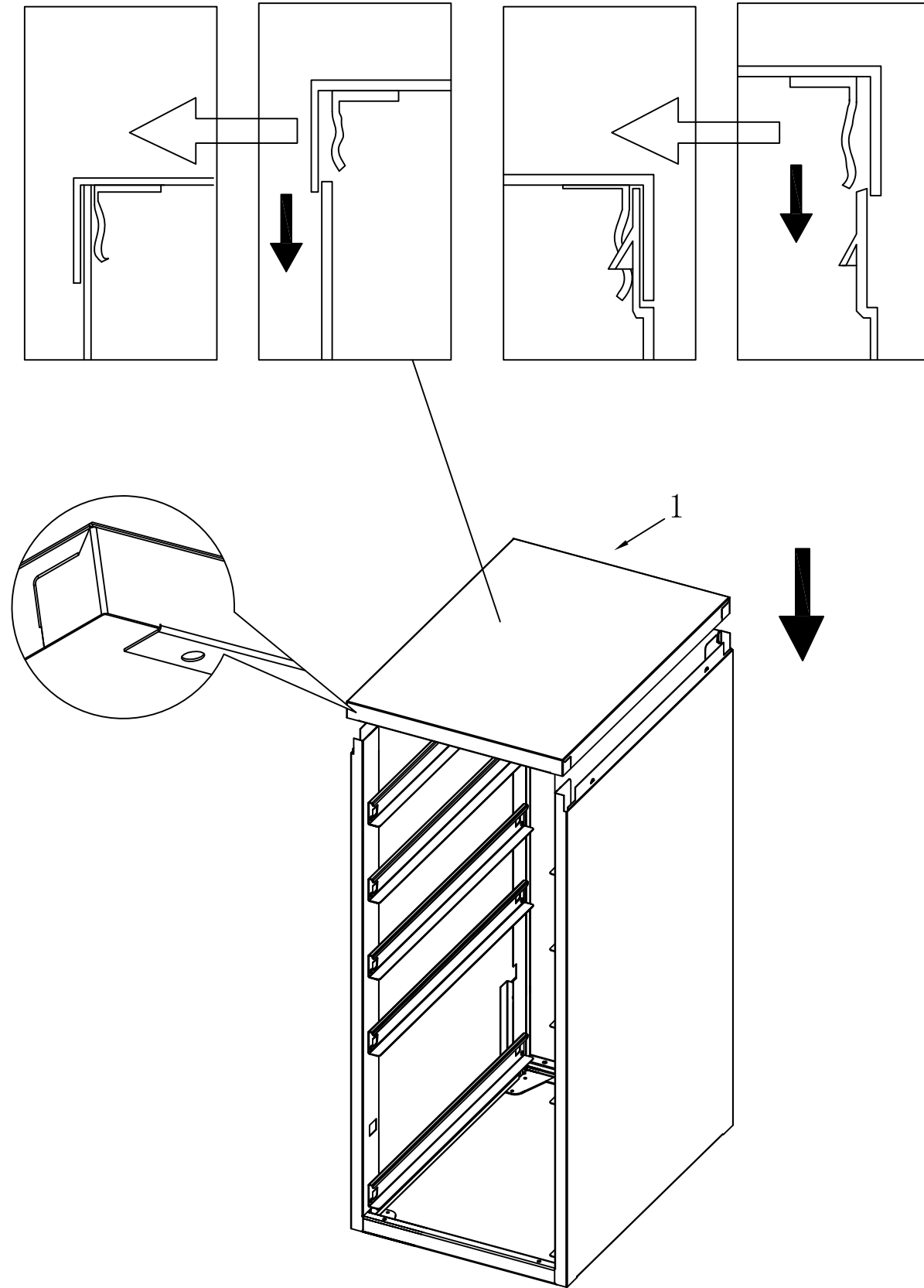
4



7



6



5

